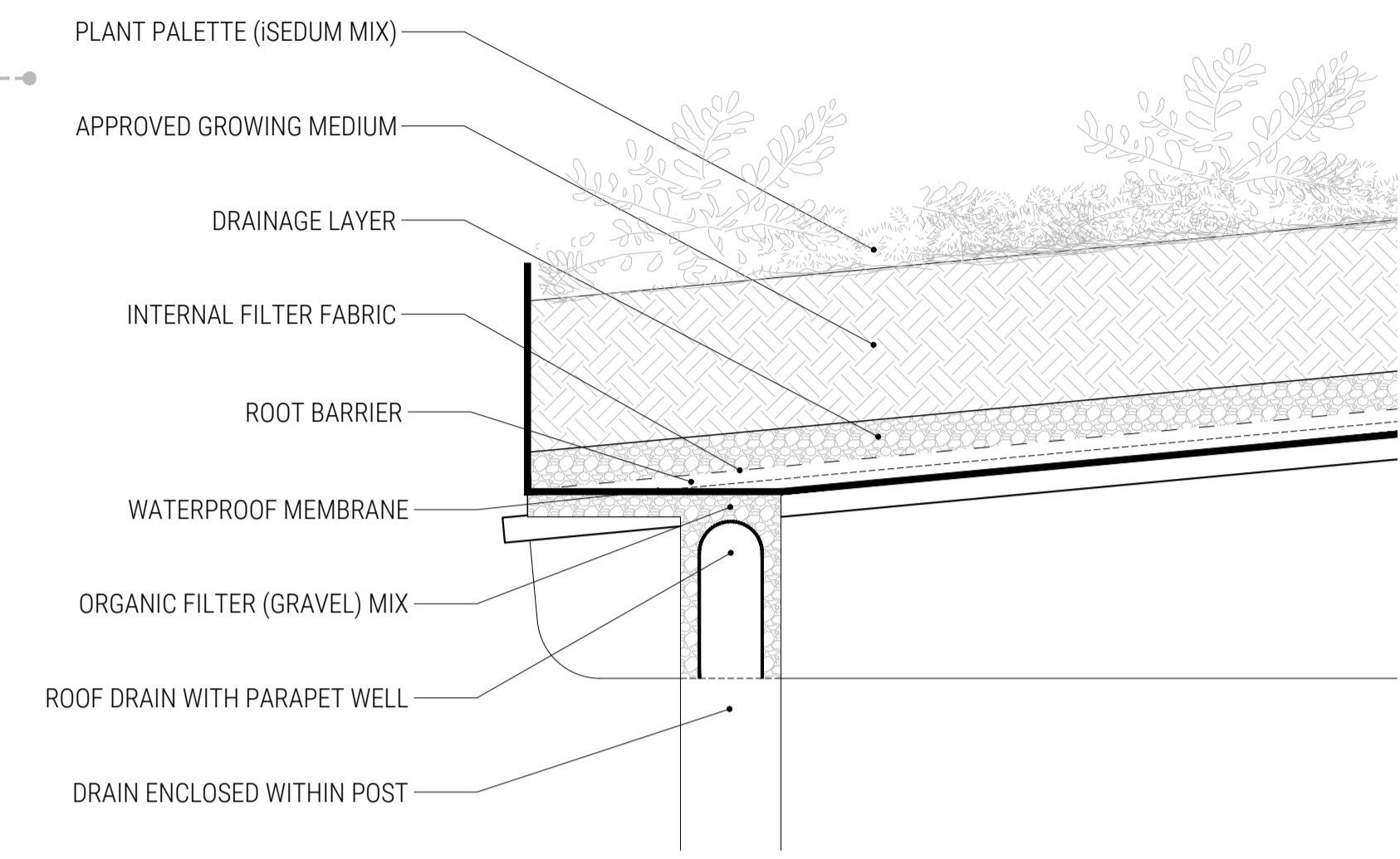
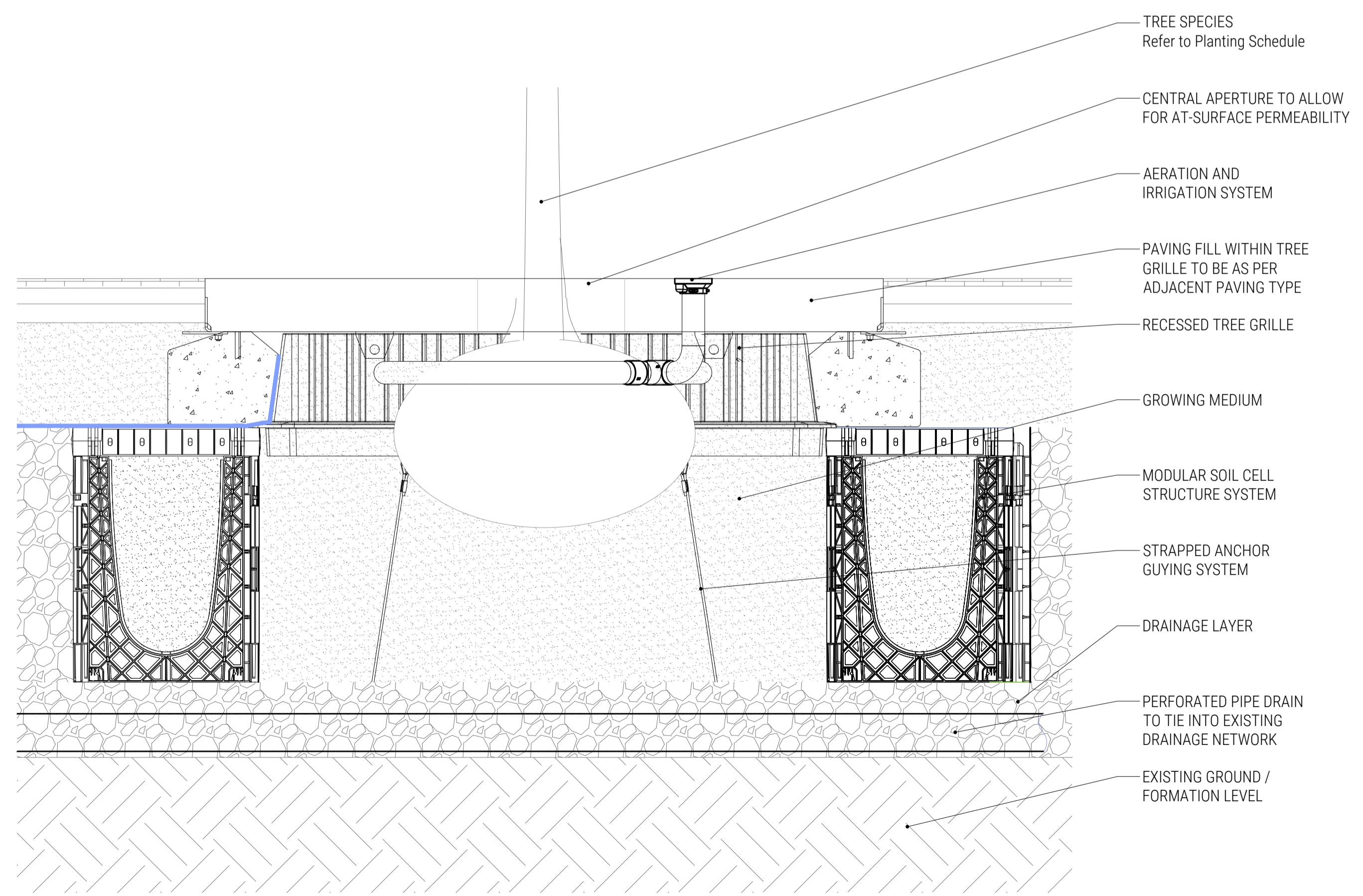


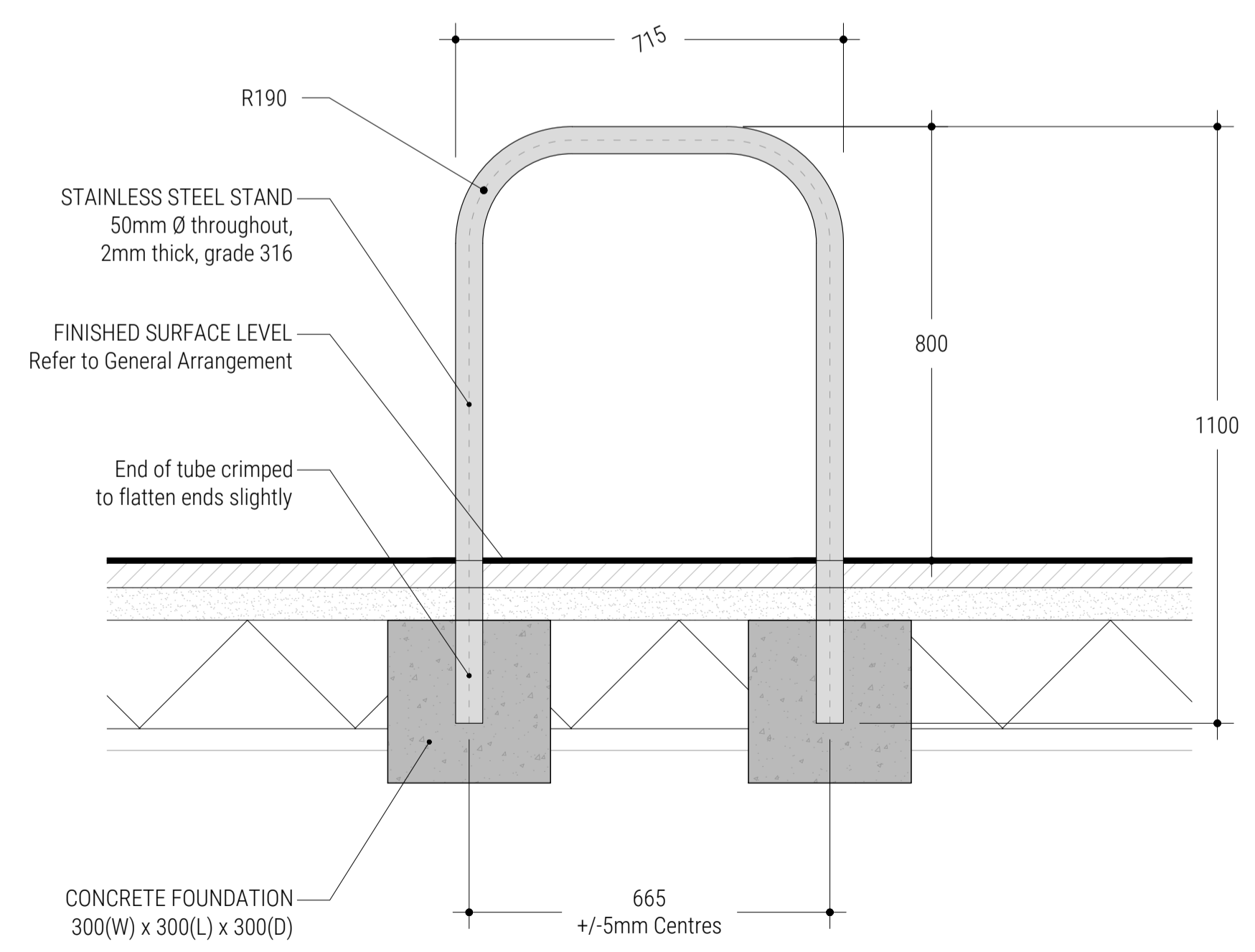
01 Elevation: Green Roof Bus Shelter
L901 1:20



02 Section: Green Roof Detail and Image
L901 1:5



03 Typical Tree Pit in Paving
L901 1:10



04 Typical Bicycle Stand
L901 1:10

notes
Do not scale from drawing, use figured dimensions only.
All dimensions are to be checked on site by contractor prior to commencement of all work.
Discrepancies should be reported immediately.
This drawing is to be read in conjunction with all other TPHC drawings and specification.
This drawing is the copyright of the Landscape Architect and must not be reproduced or used without permission.
Ordnance Information base information shown is reproduced from Ordnance Survey material © Crown copyright 2018 Licence Number 100034836.

revision	description	date	author
-	DRAFT PACKAGE FOR COORDINATION	03/06/2022	BD
A	DRAFT PACKAGE FOR FINAL REVIEW	13/06/2022	BD

the paul hogarth company

LANDSCAPE ARCHITECTURE / URBAN DESIGN / PLANNING

e: edinburgh@paulhogarth.com e: belfast@paulhogarth.com e: dublin@paulhogarth.com
t: +44 (0)131 531 4811 t: +44 (0)28 9073 6690 t: +353 (0)1 897 0272

visit us at www.paulhogarth.com / find us on: [facebook](#) / [twitter](#) / [instagram](#) / [linkedin](#)

created	15/04/2022	drawn	BD	checked	AM	scale @ A1	Varies
project code	1431	drawing number	L704	revision	A		

client: TIPPERARY COUNTY COUNCIL
project: PUBLIC REALM ENHANCEMENT WORKS, CASHEL
drawing: DETAILS: FURNITURE ELEMENTS
status: PLANNING